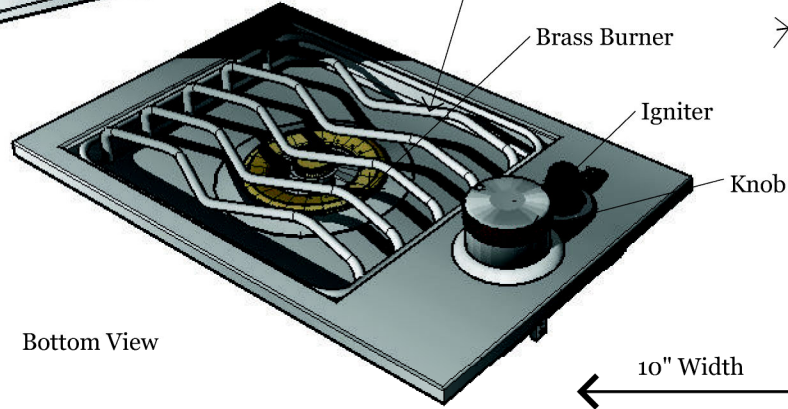
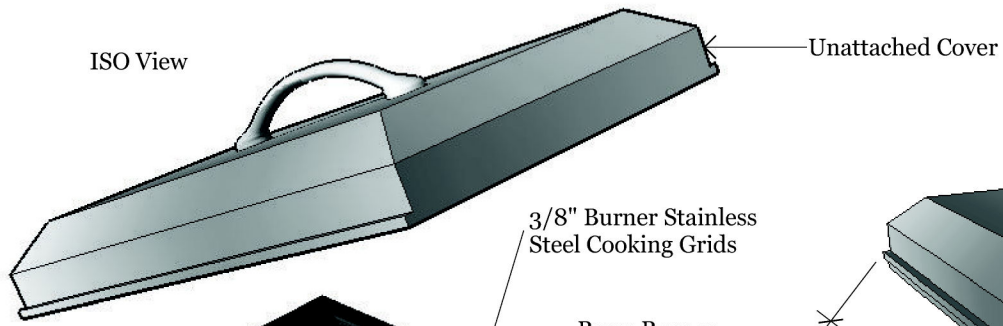
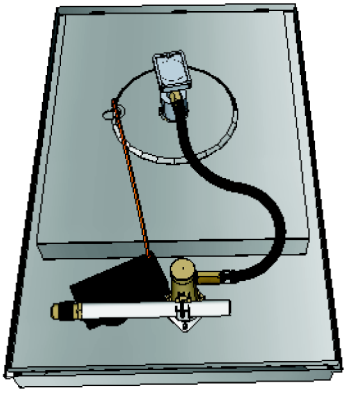


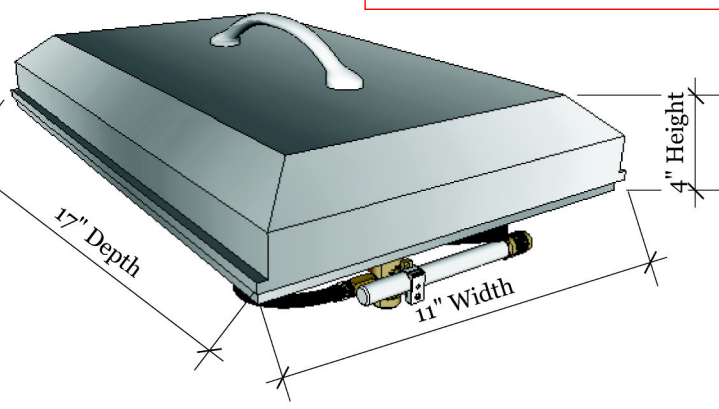
ISO View



Bottom View

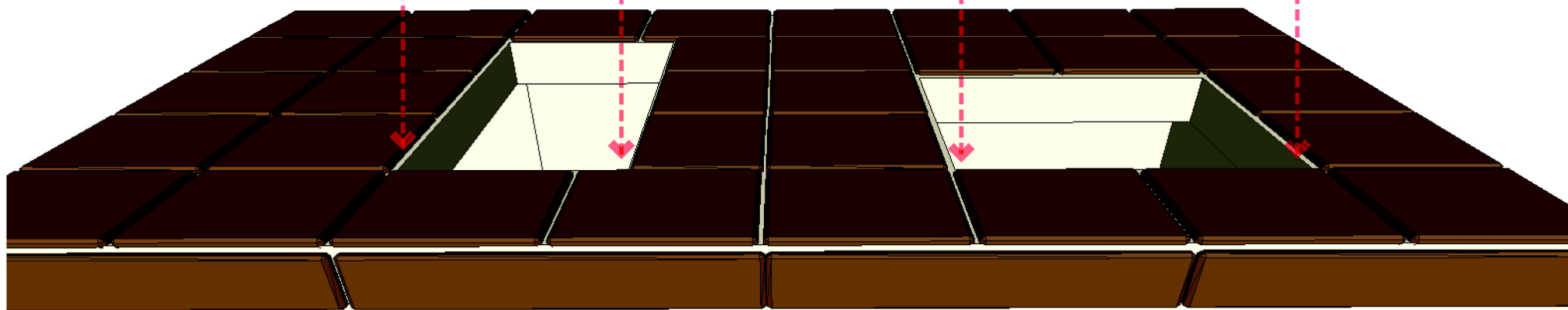
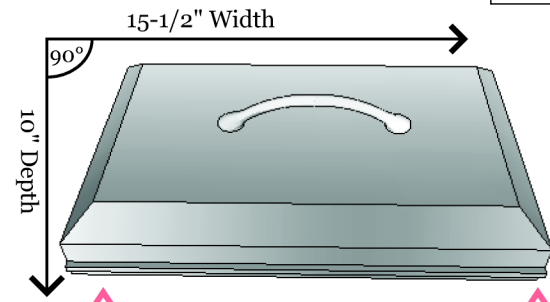
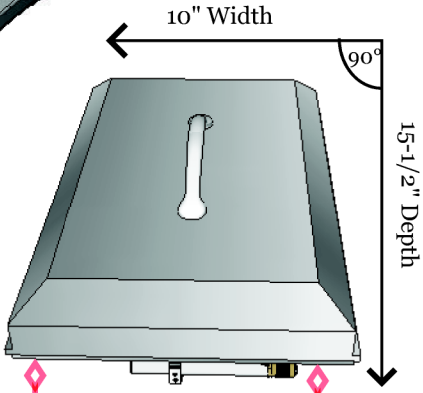


Product Dimensions



Cut-Out Dimensions

Many ways to Install Side Burner



Please note: This item **MUST** be installed in a non-combustible cabinet or structure!

www.FLOGrills.com

Product:
Drop-in Single Side Burner

Item #:
FLO-1SB

Description:
Stainless steel drop-in single side burner with unattached cover and brass burner.

Product Size:
11" W x 17" D x 4" H

Cut-out Size:
10" W x 15-1/2" D

Weight:
13 LBS