

www.FLOGrills.com

Product:
17" x 24" Vertical Access Door

Item #:
FLO-1724V

Description:
Stainless steel 17" wide by 24" high access door. Can be mounted for left or right swing.

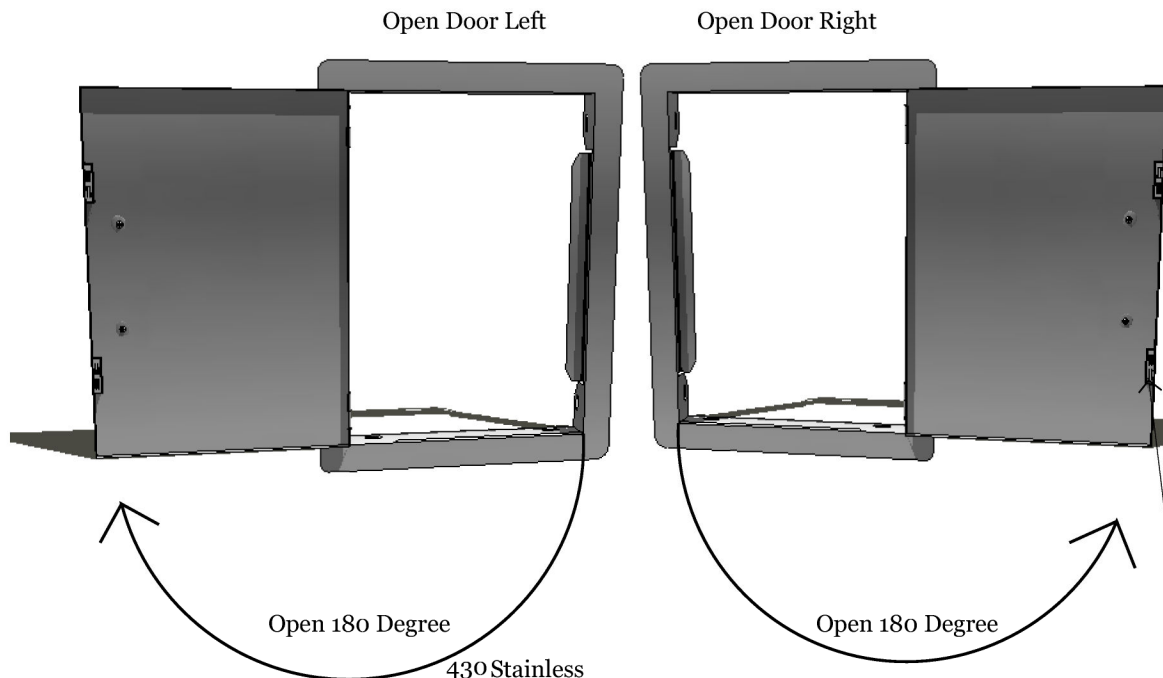
Product Size:
20" W x 27" H x 1-5/8" D

Cut-out Size:
17-1/4" W x 24-1/4" H

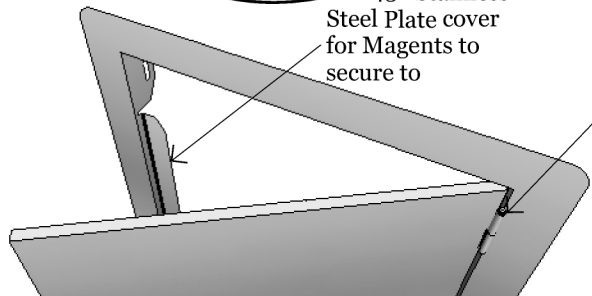
Weight:
12 LBS



Sturdy handle made of Zinc Alloy, Chrome Plated

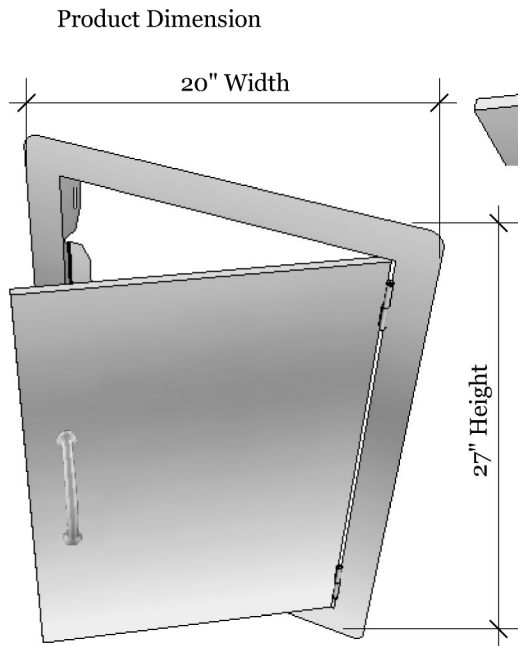


Top and Bottom Magnets to secure the door close, for Left or Right Positions



Reversible Hinge so Door stays Secure for Opening Left or Right

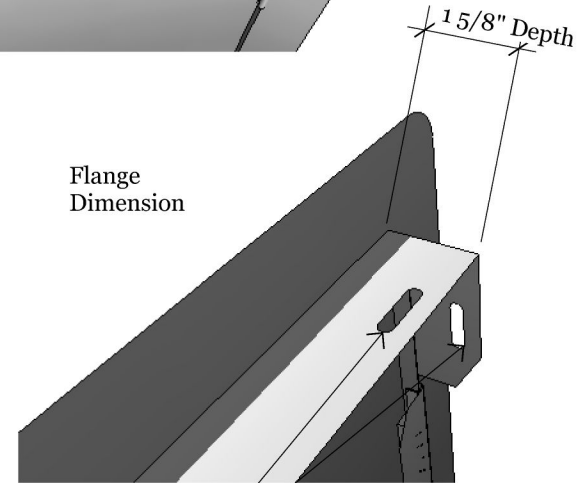
430 Stainless Steel Plate cover for Magnets to secure to



Product Dimension

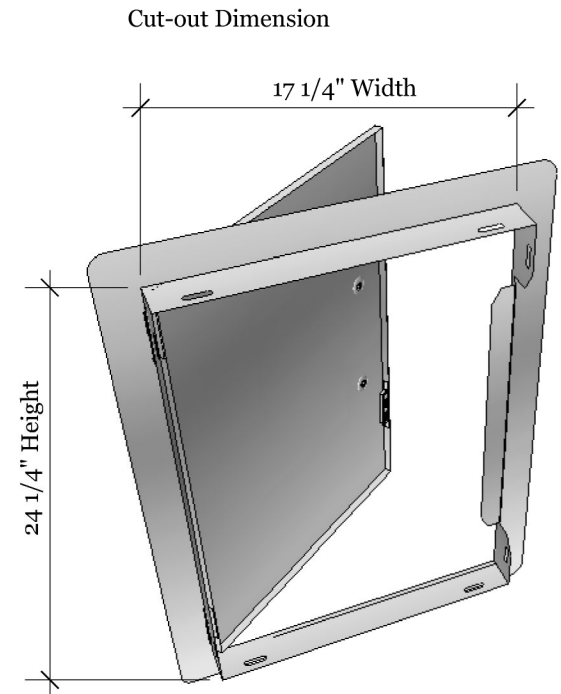
20" Width

27" Height



Flange Dimension

1 5/8" Depth



Cut-out Dimension

17 1/4" Width

24 1/4" Height

Top, Bottom and Side Mounting Holes